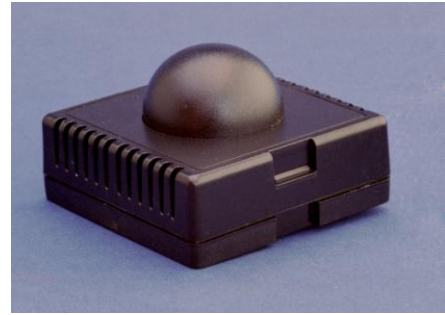


## DESCRIPTION

The RTN3060B is a black bulb room temperature sensor Specifically designed to measure the temperature of radiant heating systems. The sensor housing is wall mounting and made from Flame Retardant Polycarbonate.

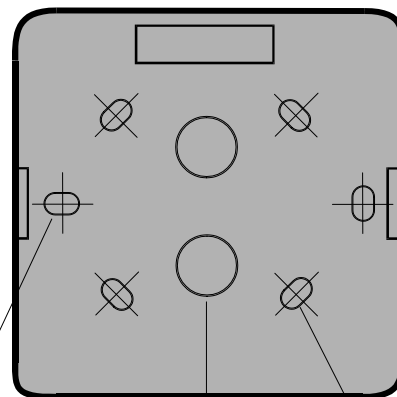
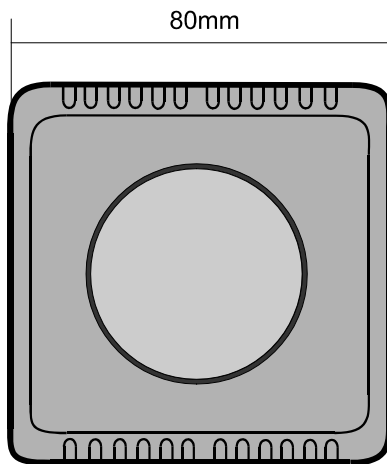
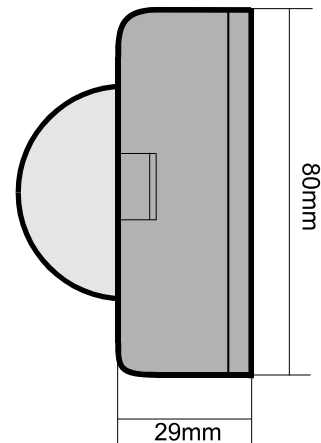
## FEATURES

- Aesthetically designed housing for radiant heating systems



## SPECIFICATION

<b>Material Body:</b>	Flame Retardant Polycarbonate
<b>Sensing Elements:</b>	2.2K3A NTC Thermistor
<b>Accuracy:</b>	+ 0.2°C @ 70°C Thermistor
<b>Operating Temperature:</b>	30 to + 60°C
<b>Terminals:</b>	1.0mm recommended 2.5mm max
<b>Location:</b>	Wall mounted 1.5m from floor level
<b>Order Code:</b>	<b>RTN3060B</b>



2 x 4mm slots at  
61mm centres

2 x 15mm cable  
entry knockouts

4 x 5mm slots at  
50.05mm pcd

### Ambiflex Ltd

12 Attenbury's Park Estate  
Attenbury's Lane  
Timperley, Cheshire  
WA14 5QE  
Tel: 0161 973 4411  
Fax: 0161 973 3770

### AMBIFLEX DATA SHEET:

**RTN3060B**  
**Black Bulb Room Sensor**