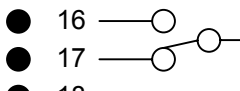
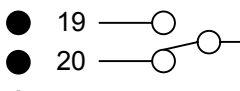
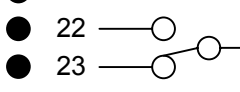
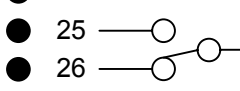
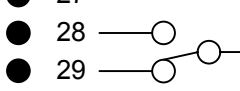
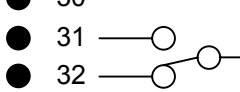
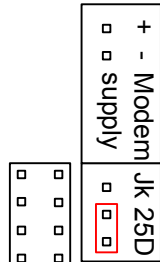


MF620 PSU

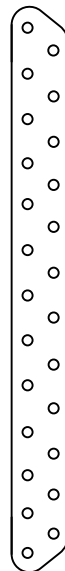
All Analog Inputs, Digital Inputs and Analog Outputs should be in screened cable.

Digital Inputs should be volt free contacts.

- 1 L 220/240V
- 2 N 50HZ
- 3 E SUPPLY
- 4 AI COMMON
- 5 AI 1
- 6 AI 2
- 7 AI 3
- 8 AI 4
- 9 AI 5
- 10 AI 6
- 11 AI 7
- 12 AI 8
- 13 AO COMMON
- 14 AO 1
- 15 AO 2
- 16  DO 1
- 18
- 19  DO 2
- 21
- 22  DO 3
- 23
- 24
- 25  DO 4
- 26
- 27
- 28  DO 5
- 29
- 30
- 31  DO 6
- 32
- 33
- 34 DI COMMON
- 35 DI 1
- 36 DI 2
- 37 DI 3
- 38 DI 4
- 39 VEN



Ribbon Cable



25 Pin Modem Port

Ambiflex Ltd

5 Vale View, Vicarage Lane
 Bowdon, Cheshire, WA14 3BD
 Tel: 0161 941 1122 E-Mail: sales@ambiflex.com
 Fax: 0161 941 1188 Web: www.ambiflex.com

AMBIFLEX DATA SHEET

MF620
Building Management System