

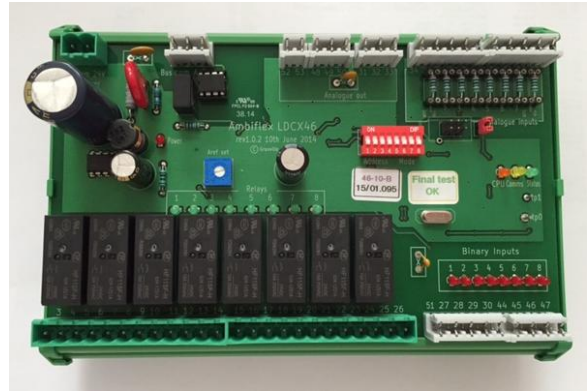
LDCX46

TECHNICAL OVERVIEW

The LDCX is an input/output (I/O) card designed to be connected to the MF3200 controller. The MF3200 Building Management System (BMS) can support up to sixteen I/O cards using the LDCX, LDCN or a mixture of the two – (please see LDCN data sheet).

The LDCX46 can be retrofitted on to an existing MF828, MF822, or MF820 system.

The additional Analogue outputs (AO5, AO6) are only available when connected to the MF3200 controller with corresponding firmware installed.



FEATURES

- DIN rail mounted

SPECIFICATION

Power Supply:	24V AC
Dimensions:	182mmx125mmx70mm
Analog Inputs:	8 – For Ambiflex NTC sensors, 0-10vdc, 4-20mA
Digital Inputs:	8
Analog Outputs:	6 – 0-10vdc
Digital Outputs:	8 – SPDT output relays, contacts/track rated 8/10 amp 230V AC resistive
Electrical:	Screened cable for all Analog and Digital Inputs and Analog Outputs earthed at the controller end only
Connections:	2.5mm ² pluggable terminals
Communications:	RS485 communications bus daisy-chained to MF3200 or MF828 BMS
Country of Origin:	UK
Product Code:	LDCX46

Ambiflex Ltd

12 Attenbury's Park Estate
Attenbury's Lane
Timperley, Cheshire
WA14 5QE

Tel: 0161 973 4411 Fax: 0161 973 3770
Email: sales@ambiflex.com Web: www.ambiflex.com

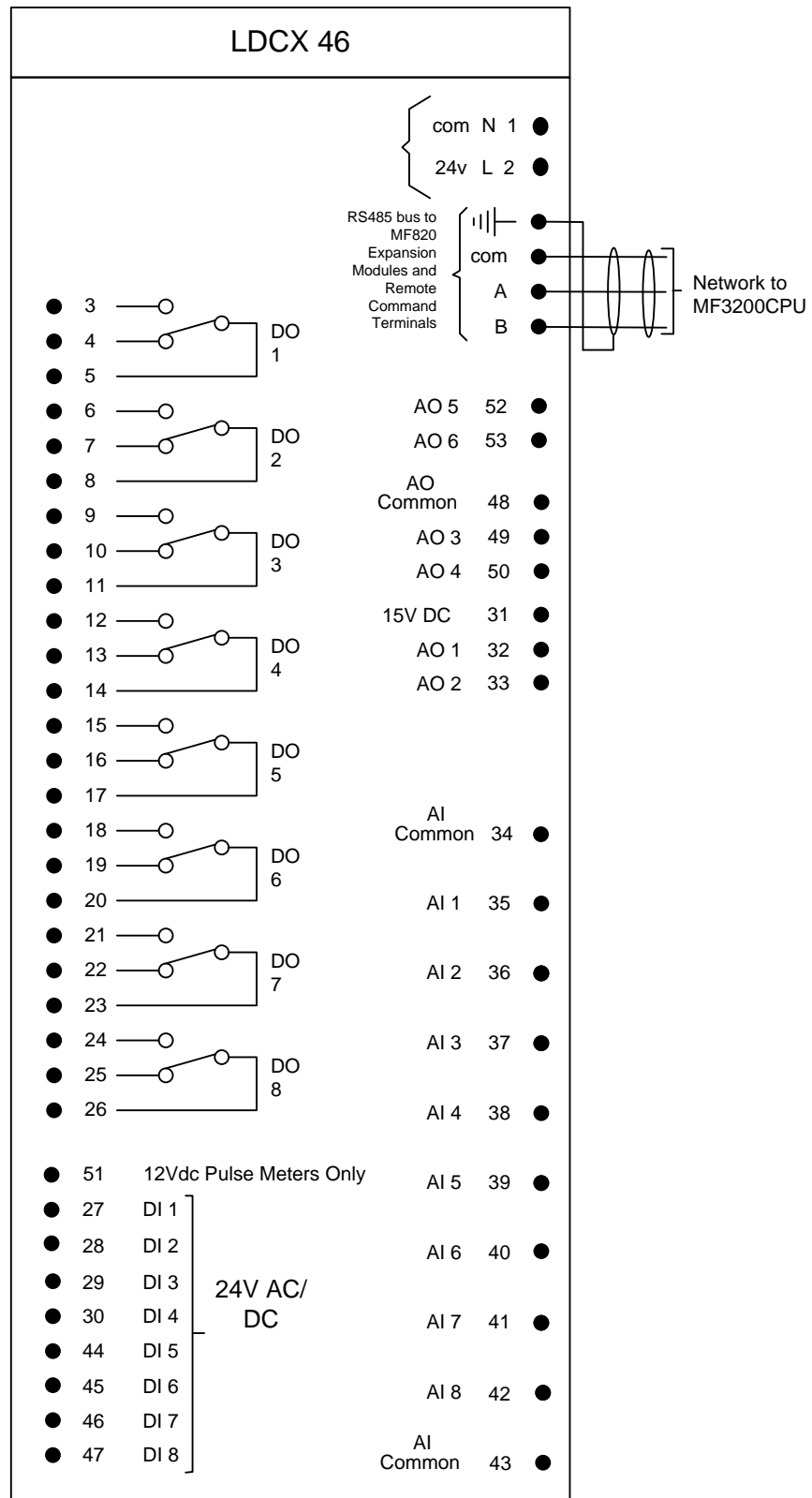
AMBIFLEX DATA SHEET: PAGE 1 of 2

LDCX46 Input/Output Card

LDCX 46

All Analog Inputs, Digital Inputs and Analogue Outputs should be in screened cable earthed at the controller end only.

All resistors are set for $2K7\Omega$ for Ambiflex NTC low temperature sensors and can be exchanged should the requirement be different.



Ambiflex Ltd
 12 Attenbury's Park Estate
 Attenbury's Lane
 Timperley, Cheshire
 WA14 5QE
 Tel: 0161 973 4411 Fax: 0161 973 3770
 Email: sales@ambiflex.com Web: www.ambiflex.com

AMBIFLEX DATA SHEET: PAGE 2 of 2

LDCX46
Input/Output Card